

Figure 26. Tactical Relay (Sheet 1 of 3)

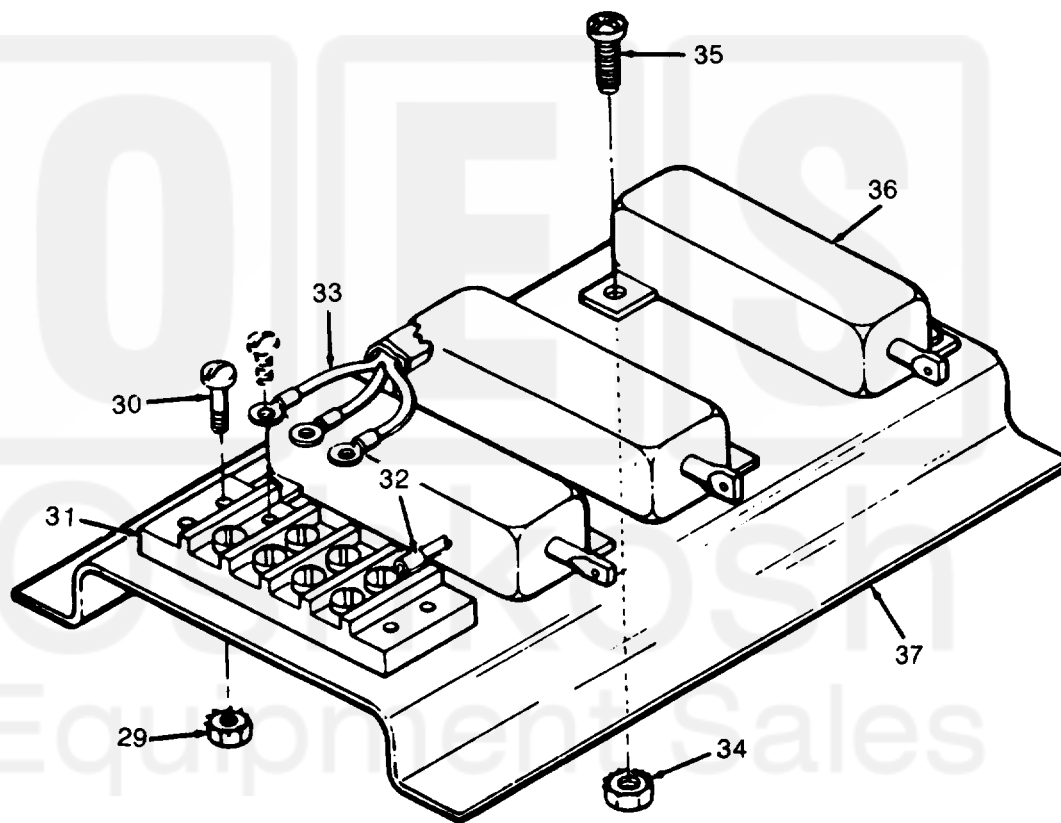


Figure 26. Tactical Relay (Sheet 2 of 3)

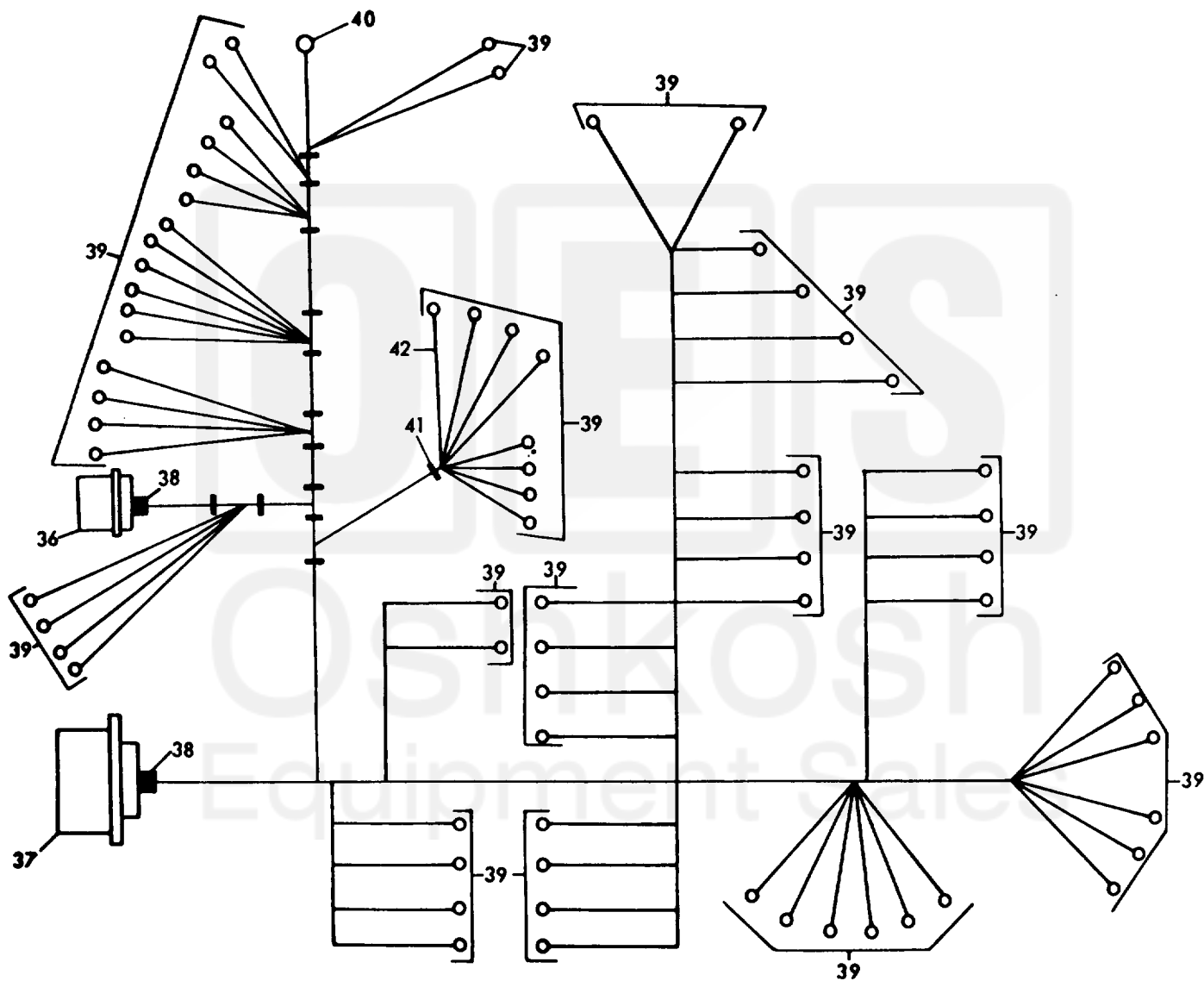


Figure 26. Tactical Relay (Sheet 3 of 3)

Current part is item (10) on diagram. Available at www.oshkoshequipment.com

(1) A FIG. NO.	(2) B ITEM NO.	(3) A ARMY	(3) B AIR FORCE	(3) C NAVY	(3) D USMC	(3) E SSI	(4) B REPL FACTOR	(4) STOCK NUMBER	(5) DESCRIPTION	(6) USABLE ON CODE	(7) U/M	(8) INC IN UNITS	(8) QTY PER EQUIP
GROUP 13-RELAY TABLE GROUP													
26	1	PAFZZ	PAOZZ	PAGZZ		D	.008	5305-00-068-0500	SCREW,CAP,HEXAGON HEAD:RELAY MTG MS90725-3 96906	EA		6	
26	2	PAFZZ	PAOZZ	PAGZZ		D	.010	5310-00-582-5965	WASHER,LOCK:RELAY MTG MS35338-44 96906	EA		6	
26	3	PAFZZ	PAOZZ	PAGZZ		D	.010	5310-00-823-8804	WASHER,FLAT:RELAY MTG MS27183-9 96906	EA		6	
26		XBFZZ	PBOOD	PAGGG			.700	6115-00-564-0067	RELAY ASSEMBLY,TACTICAL 72-2209 30554 30554-72-2209 36024	EA		1	
26	4	PAFZZ	PAOZZ	PAGZZ		D	.008	5305-00-191-6226	SCREW,WASHER 69-662-64 30554 P15121-64 45722	EA		2	
26	5	XBFZZ	MFO	XBGZZ					COVER,BOX 72-2210 30554 30554-72-2210 36024	EA		1	
26	6	PAFZZ	PAOZZ	PAOZZ		D	.008	5305-00-191-6226	SCREW,WASHER:RELAY MTG 69-662-64 30554 P15121-64 45722	EA		2	
26	7	PAFZZ	PAOBZ	PAGZZ			.050	5945-00-605-6578	RELAY,OVERLOAD 72-2254 30554 30554-72-2254 36024	EA		1	
26	8	PAFZZ	PAOZZ	PAGZZ		D	.008	5305-00-036-6977	SCREW,WASHER 69-662-33 30554 P15121-33 45722	EA		4	
26	9	PAFZZ	PAOBZ	PAGZZ			.050	5945-00-919-7749	RELAY,REVERSE POWER 70-1136 30554 11470 12670	EA		1	
26	10	PAFZZ	PAOBZ	PAGZZ			.050	5945-00-420-4561	RELAY,SHORT CIRCUIT 70-1137 30554 21381C1 12670	EA		1	
26	11	PAFZZ	PAOZZ	PAGZZ		D	.008	5305-00-036-6977	SCREW,WASHER:RELAY MTG 69-662-33 30554 P15121-33 45722	EA		4	
26	12	PAFZZ	PAOBZ	PAGZZ			.050	5945-00-057-5655	RELAY,OVERVOLTAGE 70-1138 30554 11486 12670	EA		1	
26	13	PAFZZ	PAOZZ	PAGZZ		D	.008	5305-00-036-6977	SCREW,WASHER:RELAY MTG 69-662-33 30554 P15121-33 45722	EA		1	
26	14	PAFZZ	PAOZZ	PAGZZ		D	.008	5310-00-063-7360	NUT,WASHER 69-561-2 30554 511-061800-00 78189	EA		2	
26	15	PAFZZ	PAOZZ	PAGZZ		D	.008	5305-00-889-3001	SCREW,MACHINE MS35206-231 96906	EA		2	
26	16	XBFZZ	XB	XBGZZ				5940-00-983-6051	TERMINAL BOARD 37TB10 81349	EA		1	
26	17	XBFZZ	XB	XBGZZ				5940-00-632-7234	LINK,TERMINAL CONNECTION 69-651-1 30554 600J 75382	EA		2	

Current part is item (10) on diagram. Available at www.oshkoshequipment.com

Current part is item (10) on diagram. Available at www.oshkosequipment.com

(1) A FIG. NO.	(2) B ITEM NO.	(3) A ARMY	(3) B AIR FORCE	(3) C NAVY	(3) D USMC	(3) E SSI	(4) B REPL FACTOR	(4) STOCK NUMBER	(5) DESCRIPTION	(6) USABLE ON CODE	(6) U/M	(7) INC IN UNITS	(8) QTY PER EQUIP
26	18	PAFZZ	PAOZZ	PAGZZ		D	.008	5310-00-052-3632	NUT,WASHER:GROUND 69-561-3 30554 511-081800-00 78189	EA		2	
26	19	PAFZZ	PAOZZ	PAGZZ		D	.010	5310-00-809-8544	WASHER,FLAT MS27183-7 96906	EA		1	
26	20	PAFZZ	PAOZZ	PAGZZ		D	.008	5305-00-984-6193	SCREW,MACHINE MS35206-245 96906	EA		1	
26	21	PAFZZ	PAOZZ	PAGZZ		D	.008	5310-00-934-9747	NUT,PLAIN,HEXAGON MS35649-262 96906	EA		4	
26	22	PAFZZ	PAOZZ	PAGZZ		D	.008	5305-00-036-6968	SCREW,WASHER 69-662-18 30554 P15121-18 45722	EA		4	
26	23	PAFZZ	PAOZZ	PAGZZ		D	.008	5310-00-934-9739	NUT,PLAIN,HEXAGON MS35649-242 96906	EA		4	
26	24	PAFZZ	PAOZZ	PAGZZ		D	.008	5305-00-038-3089	SCREW,WASHER:WIRING HARNESS MTG 69-662-3 30554 P15121-3 45722	EA		4	
26	25	XBFZZ	XB	XBGZZ					CHASSIS,BOX 72-2211 30554 30554-72-2211 36024	EA		1	
26	26	PAFZZ	PAOZZ	PAGZZ		D	.008	5310-00-063-7360	NUT,WASHER:RESISTOR MTG 69-561-2 30554 511-061800-00 78189	EA		2	
26	27	PAFZZ	PAOZZ	PAGZZ		D	.008	5305-00-984-4988	SCREW,MACHINE:RESISTOR MTG MS35206-243 96906	EA		2	
26	28	XBFFZ	AFO	AGGGG					RESISTOR ASSEMBLY 72-2226 30554 30554-72-2226 36024	EA		1	
26	29	PAFZZ	PAOZZ	PAGZZ		D	.008	5310-00-063-7360	NUT,WASHER 69-561-2 30554 511-061800-00 78189	EA		2	
26	30	PAFZZ	PAOZZ	PAGZZ		D	.008	5305-00-889-3001	SCREW,MACHINE MS35206-231 96906	EA		2	
26	31	XBFZZ	XB	XBGZZ				5940-00-983-6045	TERMINAL BOARD 37TB4 81349	EA		1	
26	32	PAFZZ	PAOZZ	PAGZZ		D	.050	5940-00-204-8966	TERMINAL,LUG MS25036-102 96906	EA		4	
29	33	PAFZZ	PAOZZ	PAGZZ		D	.080	6145-00-578-6602	WIRE,ELECTRICAL M5086-2-18-9 81349	FT		V	
26	34	PAFZZ	PAOZZ	PAGZZ		D	.008	5310-00-063-7415	NUT,WASHER:RESISTOR MTG 69-561-1 30554 511-041800-00 78189	EA		6	
26	35	PAFZZ	PAOZZ	PAGZZ		D	.008	5305-00-889-2997	SCREW,MACHINE:RESISTOR MTG MS35206-215 96906	EA		6	
26	36	PAFZZ	PAOZZ	PAGZZ			.040	5905-00-459-2558	RESISTOR,FIXED RER75F7R50M 81349	EA		3	
26	37	XBFZZ	XB	XBGZZ					BRACKET,RESISTOR 72-2227 30554 30554-72-2227 36024	EA		1	

Current part is item (10) on diagram. Available at www.oshkosequipment.com

Current part is item (10) on diagram. Available at www.oshkoshequipment.com

(1) ILLUSTRATION A	(2) GMR CODE B	(3) ARMY A	(4) AIR B	(5) NAVY C	(6) USMC D	(7) SSI A	(8) REPL B	(9) FACTOR A	(10) STOCK B	(11) NATIONAL NUMBER A	(12) DESCRIPTION A	(13) USABLE ON CODE A	(14) U/M A	(15) INC IN UNITS A	(16) QTY PER EQUIP A
26		MFFFZ	MDD	AGGGG							REF NUMBER & MFR CODE WIRING HARNESS 72-2243 30554 30554-72-2243 36024 MANUFACTURE FROM:		EA	1	
26	38	PAFZZ	PAOZZ	PAGZZ		D	.030	5935-00-755-2787			CONNECTOR,RECEPTACLE MS3102R20-29P 96906		EA	1	
26	39	PAFZZ	PAOZZ	PAGZZ		D	.030	5935-00-725-0888			CONNECTOR,RECEPTACLE MS3102R28-12P 96906		EA	1	
26	40	PAFZZ	PAOZZ					5970-00-954-1622			INSULATION,SLEEVING M23053-5-105-0 81349	CZL	FT	V	
26	41	PAFZZ	PAOZZ	PAGZZ		D	.050	5940-00-204-8966			TERMINAL LUG MS25036-102 96906		EA	71	
26	42	PAFZZ	PAOZZ	PAGZZ		D	.050	5940-00-143-4780			TERMINAL,LUG MS25036-149 96906		EA	1	
26	43	PAFZZ	PAOZZ	PAGZZ		D	.008	5975-00-111-3208			STRAP,CABLE MS3367-5-9 96906		EA	V	
26	44	PAFZZ	PAOZZ	PAGZZ		D	.080	6145-00-578-6602			WIRE,ELECTRICAL M5086-2-18-9 81349		FT	V	



Current part is item (10) on diagram. Available at www.oshkoshequipment.com